

# PureTIP Plus SaS™

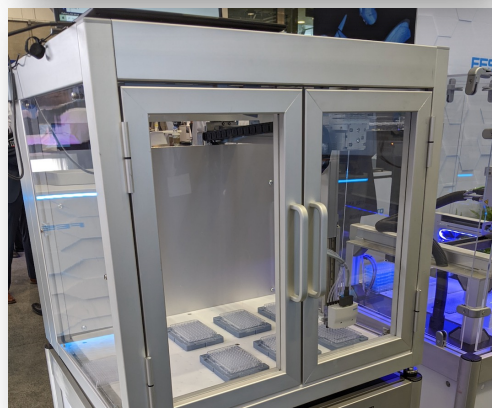
*Standalone Plasma Treatment System*

Launching Early Q3 2022

## Filter Tips PCR Clean

### Overview

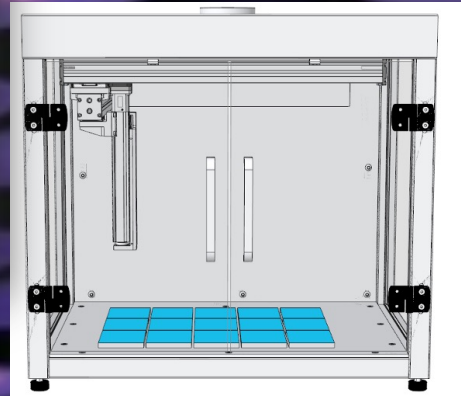
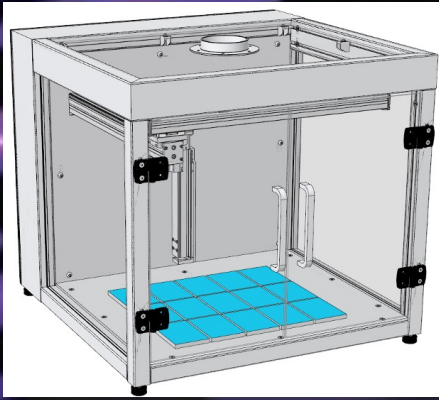
- A Standalone System originally designed for cleaning tips commonly used in testing for Covid-19 using room temperature atmospheric pressure plasma.
- Uses a vacuum mechanism that pulls plasma continuously up the tip and through the filter while direct plasma exposure cleans the outside of the tip.
- Continuous pull of plasma makes the cleaning more powerful.
- In less than 2 seconds, maximum plasma intensity is reached.
- Highest standards for clean for virus diagnostics (60 copies or less) – ideal for NGS and RT-PCR / q-PCR used in COVID-19 screening.
- The process generates no waste, liquid or solid.



### Benefits

- **Exceptional Cleaning:** COVID tips cleaned to background using patented plasma technology.
- **A Standalone Product:** No change to existing methods.
- **Universal:** Conductive/standard, filter/non-filter and volumes from 20 uL to 1 mL.
- **Productive:** Cleans tips @ 30 to 60 racks/hour.
- **Interchangeable:** Patent pending brand-specific mandrels for multiple liquid handlers.
- **Expandable:** Start w/ PureTip & Misting Station, add accessories and robotics later.
- **Adapts:** Like a liquid handler, it is programmable to meet changing needs.

## Design Features



### Standard

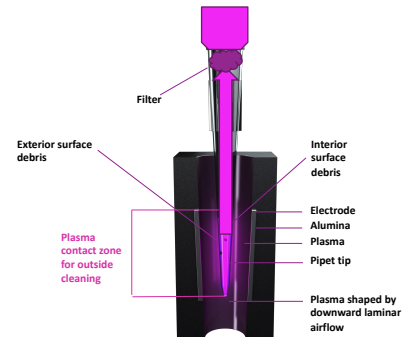
- Gantry system
- Low-force, high-precision tip insertion technology
- Flexible deck can be reconfigured
- Robotically open – easy for “pick and place” robotics
- Safety shields
- HMI touchscreen

### Optional Add-ons

- Positive or negative air filtration
- Internal camera
- Light curtains

## About the Plasma Cleaning Process

Plasma cleaning uses atmospheric pressure plasma to remove contaminants on the surface of pipette tips. When tips are positioned into a PureTIP Plasma Treatment System, plasma is continuously pulled up through the tip and filter and transitions any residue solvent on the tip surfaces to gas, exposing organic contaminants such as DNA and small molecules to plasma. After a few seconds, the contaminants are ionized, and the pipette tips are renewed.



## Pipette Reuse Recommendations

- **Standard Tips** - 10 to 20 uses or up to 10 minutes of plasma exposure
- **Maximum Recovery Tips** - tested to 100 uses
- **Conductive Tips** – approx. half of that as for standard tips
- **Pin Tools** - no degradation; can be cleaned indefinitely to 'as-new'

## Specifications

- Height: 76.2 cm / 30"
- Width: 76.2 cm / 30"
- Depth: 76.2 cm / 30"

## PureTip Plus SaS Testing Results

qPCR Carryover Testing using COVID Sample Hamilton 1 mL Conductive Filter Tips

	1	2	3	4	5	6	7	8	9	10	11	12	13	14	15	16
A	Green	Green	Green	Green	Green	Green	Green	Green	Green	Green	Green	Green	Green	Green	Green	Green
B	Green	Green	Green	Green	Green	Green	Green	Green	Green	Green	Green	Green	Green	Green	Green	Green
C	Green	Green	Green	Green	Green	Green	Green	Green	Green	Green	Green	Green	Green	Green	Green	Green
D	Green	Green	Green	Green	Green	Green	Green	Green	Green	Green	Green	Green	Green	Green	Green	Green
E	Green	Green	Green	Green	Green	Green	Green	Green	Green	Green	Green	Green	Green	Green	Green	Green
F	Green	Green	Green	Green	Green	Green	Green	Green	Green	Green	Green	Green	Green	Green	Green	Green
G	Green	Green	Green	Green	Green	Green	Green	Green	Green	Green	Green	Green	Green	Green	Green	Green
H	Green	Green	Green	Green	Green	Green	Green	Green	Green	Green	Green	Green	Green	Green	Green	Green
I	Green	Green	Green	Green	Green	Green	Green	Green	Green	Green	Green	Green	Green	Green	Green	Green
J	Green	Green	Green	Green	Green	Green	Green	Green	Green	Green	Green	Green	Green	Green	Green	Green
K	Green	Green	Green	Green	Green	Green	Green	Green	Green	Green	Green	Green	Green	Green	Green	Green
L	Green	Green	Green	Green	Green	Green	Green	Green	Green	Green	Green	Green	Green	Green	Green	Green
M	Green	Green	Green	Green	Green	Green	Green	Green	Green	Green	Green	Green	Green	Green	Green	Green
N	Green	Green	Green	Green	Green	Green	Green	Green	Green	Green	Green	Green	Green	Green	Green	Green
O	Green	Green	Green	Green	Green	Green	Green	Green	Green	Green	Green	Green	Green	Green	Green	Green

Col 1&2 Short exposure time

Col 3-5 Normal exposure time

Col 6-8 Controls – no treatment

